

Description

NetSOLO® Classic is a revolutionary advance in emergency voice evacuation system design. NetSOLO Classic employs the proven technology of the 7100 Series fire alarm control panel and expands it to accomplish emergency bulk amplified voice evacuation, two-way fire fighter communications, and building control application.

It is a true peer-to-peer, token passing, networked system capable of supporting up to sixty-four (64), individual nodes. All system status, control-by-event sequences, audio voice paging, and fire fighter telephone communications are sent between nodes over a fiber-optic cable or single pair of wires.

Each NetSOLO Classic node can be spaced along the network a maximum distance of 3000 feet (914.4 m) over an unshielded, twisted pair of wires or up to an 8 dB loss using fiber-optic cable. Built-in isolation at each node permits Style 4, Style 6, and Style 7 network configurations.

NetSOLO Classic is simple to configure for any project requirement. A complete NetSOLO Classic application can be assembled from just two types of nodes; the 7100 NetSOLO and the INCC-C Command Center plus bulk amplification components.

NetSOLO Classic is capable of many sophisticated sequences of operations. The NetSOLO Classic Field Configuration Program is based on Boolean logic statements providing AND, OR, NOT, and XOR logic operators. These can be combined to produce additional Boolean operators such as NAND, NOR, XNOR, etc. A comprehensive set of timing functions can also be attached to any input/output logic statement for staggered reset of fan control relays, time-delayed alarm activation, time-delayed alarm activation, automatic system silence, etc.

NetSOLO® is a registered trademark of Honeywell International Inc.

Intelligent, Networked, Multi-Channel and Bulk Amplification Voice Evacuation System

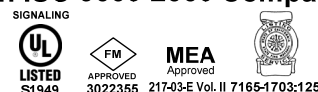


NetSOLO Classic

Features

- All communication signals and control-by-event sequences over fiber-optic cable or a single pair of twisted, unshielded wires
- Distributed architecture, including Style 7 wiring configurations, allow system components to continue normal operation with no loss of function during single line fault conditions
- Network data transfer rate at 625K baud.
- Ideal for a wide range of complex system applications including high-rise or campus installations
- Integrates 7100 NetSOLO fire alarm control panels and command centers to create a complete audio evacuation system with up to 64 nodes
- Each voice gateway center supports up to six (6) ASM-16 Addressable Switch Modules for a total of 96 switches which are separately software programmable
- Redundant command centers with microphone and fire fighter's handset easily configured by adding INCC-Cs
- State-of-the-art digital signal processor (DSP) technology for efficient audio compression and filtering
- Audio channels capable of accommodating up to twenty (20) AA Series amplifiers per channel
- Messages easily field-configurable via laptop computer
- Advanced Boolean logic-based programming such as AND, OR, NOT, NOR, time delay, and calendar functions configurable via computer programming

An ISO 9000-2000 Company



GAMEWELL-FCI

12 Clintonville Road, Northford, CT 06472 - Tel: (203) 484-7161 - Fax: (203) 484-7118

Specifications are for information only, are not intended for installation purposes, and are subject to change without notice. No responsibility is assumed by Gamewell-FCI for their use.

©2008 Gamewell-FCI. All rights reserved.

www.gamewell-fci.com

9020-0594 Rev. E page 1 of 6

7100 NetSOLO

The 7100 NetSOLO is a micro-processor-based fire alarm control panel with two analog, addressable signaling line circuits (SLC). Each 7100 is equipped with an Intelligent Network Interface module for unshielded, twisted wire (INI-7100 UTP) or a combination of wire and fiber-optic cable (INI-7100 FO). Options include an integral Digital Alarm Communicator Transmitter (DACT) supporting most popular reporting formats.

Intelligent Network Command Center-Classic (INCC-C)

The Intelligent Network Command Center-Classic (INCC-C) serves as the point of interface between an operator and the system's audio evacuation, fire fighter intercom, and building network. The INCC-C occupies a single address on the NetSOLO Classic network. A typical INCC-C assembly consists of an Intelligent Network Interface-Voice Gateway (INI-VGE), and up to six (6) Addressable Switch Modules (ASM-16) or ANU-48 Remote LED Driver Modules.

Options include a voice paging microphone and a fire fighter's intercom handset connecting to the INI-VGE. Each INCC-C can support up to six ASM-16 or ANU-48 modules. Each ASM-16 has sixteen push button switches for a maximum capacity of 96 switches per INCC-C command center. Every switch has three associated LEDs, colored green, yellow, and red. These switches and their LEDs are fully programmable to serve any system function desired. They can control audio speaker circuits, notification appliance circuits, addressable relay outputs, fire fighter phone control circuits, or any special application that might be required.

Multiple INCC-Cs can be configured into the NetSOLO Broadband network to serve as a completely independent command center for their local area or as remote command centers mimicking in part or in whole the function of a main command center.

INI-VGE Voice Gateway

Each INI-VGE Voice Gateway controls its own audio channel, capable of controlling up to twenty (20) AA Series 100 watt 70.7 V_{RMS}, or 120 watt 25 Vrms audio amplifiers. Each amplifier has one speaker circuit that can be wired Style Y (Class B) or Style Z (Class A). Each amplifier can produce its own tone or message independently of other system amplifiers.

The INI-VGE uses advanced Digital Signal Processing (DSP) technology for audio compression and filtering allowing NetSOLO Classic to produce the clearest audio possible while conserving network bandwidth for instantaneous response. Background noise is automatically filtered during voice paging and fire fighter communications increasing audibility and eliminating the need for push-to-talk devices.

The INI-VGE can accommodate up to 16 different messages with a total combined duration of three minutes. Each message can be field installed via a laptop computer and can be in the form of a voice message or an evacuation tone.

The INI-VGE also provides a fire fighter telephone riser and addressable signaling line circuit connecting to multiple phone jacks or warden stations through as many as sixteen (16) AOM-TELF modules. In addition, each INI-VGE SLC can support up to 32 speaker circuits using the AOM-MUXF for multiple channel applications.

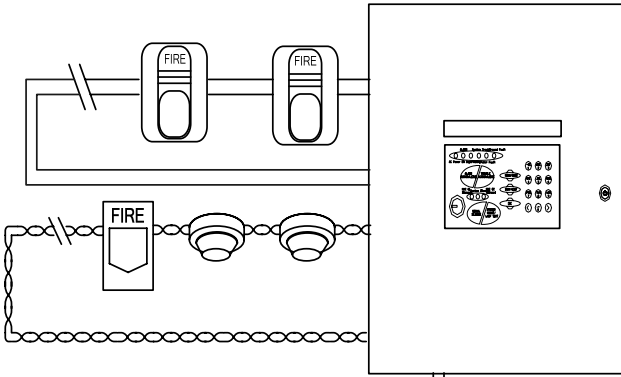
GAMEWELL-FCI

12 Clintonville Road, Northford, CT 06472 - Tel: (203) 484-7161 - Fax: (203) 484-7118

www.gamewell-fci.com

9020-0594 Rev. E page 2 of 6

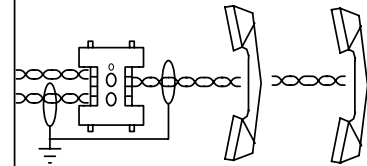
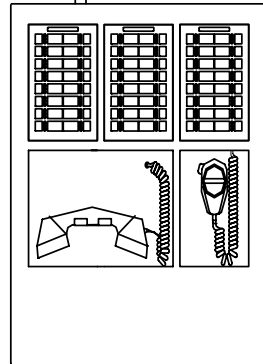
7100 NetSOLO^a with two (2) notification appliance circuits, each rated 1.7.A. 24 VDC, (power-limited)
 Two (2) signaling line circuits for 394 devices (power-limited)
 Style 6 (Class A) with optional CAOM Module



Optional integral Digital Alarm Communicator Transmitter (DACT) for local or network-wide event reporting.

Fiber-optic cable or two wires between nodes. Up to 8 dB loss with fiber-optic, 3,000 ft. (900m) distance with wire.

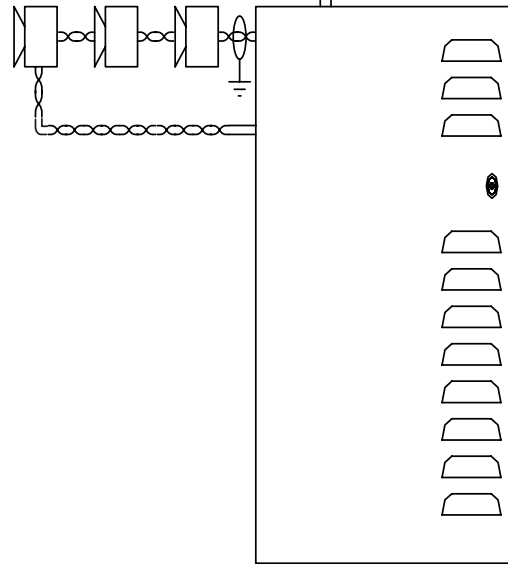
INCC-C Command Center shown with optional microphone and firefighter's handset, an INI-VGE Voice Gateway, ASM-16 Addressable Switch Modules, each with 16 programmable, addressable switches and three (3) programmable indicating LEDs (red, green, yellow) per switch. Each INI-VGE supports an audio channel.



One signaling line circuit with 16 AOM-TEL and 32 AOM-MUX addressable modules (AOM-TELS shown) Style 6 (Class A) standard, power-limited

Two wires between INCC-C and bulk amplifier cabinet. Must be in rigid conduit not to exceed 20 feet.

Each amplifier provides a speaker appliance circuit rated 100 watts @ 70.7 V_{RMS}, non power-limited, or 120 watts @ 25 V_{RMS}, power-limited.



Bulk Amplifier Cabinet

Figure 1

GAMEWELL-FCI

12 Clintonville Road, Northford, CT 06472 - Tel: (203) 484-7161 - Fax: (203) 484-7118

www.gamewell-fci.com

9020-0594 Rev. E page 3 of 6

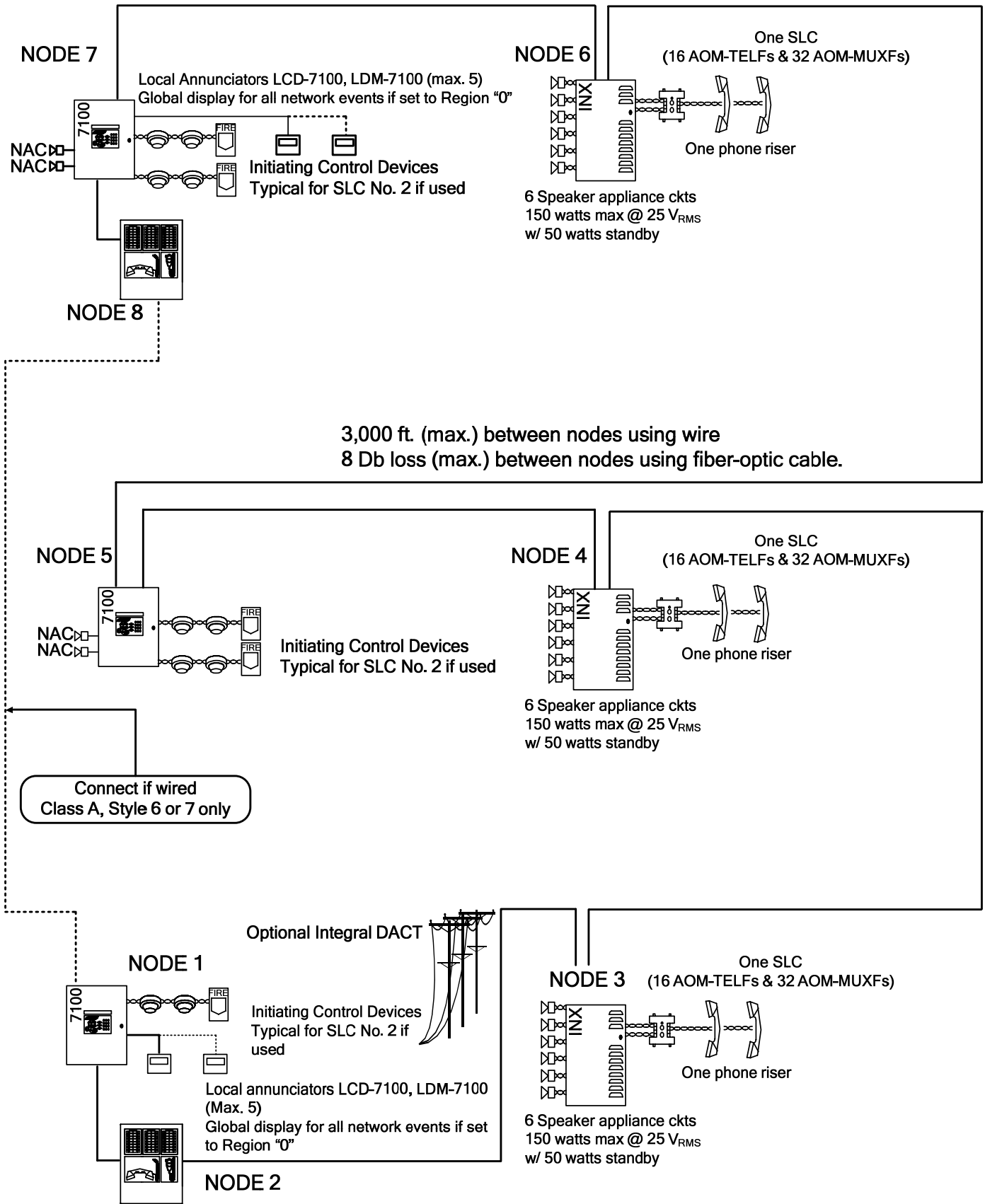


Figure 2

GAMEWELL-FCI

12 Clintonville Road, Northford, CT 06472 - Tel: (203) 484-7161 - Fax: (203) 484-7118

www.gamewell-fci.com

9020-0594 Rev. E page 4 of 6

Ordering Information

7100 NetSOLO Series Fire Alarm Control Panel

Model	Description
BK-7100-2	Basic system kit, 2 SLC (BSM, keypad display, transformer)
BK-7100-2D	Basic system kit, w/DACT, 2 SLC
BK-7100-2-240V	Basic system kit, 2 SLC, 240 VAC
BK-7100-2D-240D	Basic system kit w/ DACT, 2 SLC, 240 VAC

Cabinets

7100-ENC-P	Enclosure with plastic door, standard (16.9" H x 14.4" W x 3" D)
7100-ENC-M	Enclosure with metal door, standard (16.9" H x 14.4" W x 3" D)
NS7100B	Enclosure, NetSOLO, black, (19" H x 19" W x 4" D)
NS7100R	Enclosure, NetSOLO, red, (19" H x 19" W x 4" D)

Optional Accessories

LCD-7100	Remote serial annunciator (80 character)
LDM-7100	Remote LED driver module
CAOM	Class A Option combination module w/disconnect switches For both signaling line circuits and notification appliance circuits
MCOM	Municipal connection option module for local energy city box, Reverse polarity signaling or releasing solenoid
PTRM	Printer transient module
INI-7100-UTP	Intelligent network interface module - unshielded, twisted-pair
INI-7100-FO	Intelligent network interface module - fiber-optic.

Replacement Parts

EN-7100	Enclosure (replacement)
CS-7100	Plastic door (replacement)
CS-7100M	Metal door (replacement)
T-7100	Transformer, 120 VAC input (replacement)
T-7100-240	Transformer, 240 VAC input (replacement)
BSM-2	Basic system module, 2 SLC (replacement)
BSM-2D	Basic system module, 2 SLC w/DACT (replacement)

INCC-C Intelligent Network Command Center - Classic

INI-VGE	Classic enabled voice gateway
INI-VGE-UTP	Classic enabled voice gateway, unshield, twisted-pair
ASM-16	Programmable switch modules (occupies one single slot of inner door)
INCC-IDT	Inner door with one double slot for INCC-TEL handset and 4 single slots
INCC-ID	Inner door with 6 single slots
INCC-CAB	INCC backbox (black) with black outer door (19" H x 19" W x 4" D)
INCC-CABR	INCC backbox (black) with red outer door (19" H x 19" W x 4" D)

Optional Accessories

INCC-TEL	Fire fighter telephone handset (requires INCC-IDT inner door)
INCC-MIC	Paging microphone module (occupies one single slot of inner door)
INCC-BP	Command center blank face plate (occupies one single slot of inner door)
ANU-48	Remote LED driver module (occupies one single slot of inner door)

Bulk Amplification

AA-100	Audio amplifier, 100W @70.7 V _{RMS} w/built-in tone generator, 120 VAC
AA-120	Audio amplifier, 120W @25 V _{RMS} w/built-in tone generator, 120 VAC
ACT-1	Audio coupling transformer, for audio systems w/multiple supplies
FCI-DR-C4B	Blank door, lock & keys, for backbox accepting 3 chassis, black
FCI-DR-C4BR	Blank door, lock & keys, for backbox accepting 3 chassis, red
FCI-DR-D4B	Blank door, lock & keys, for backbox accepting 4 chassis, black

GAMEWELL-FCI

12 Clintonville Road, Northford, CT 06472 - Tel: (203) 484-7161 - Fax: (203) 484-7118

www.gamewell-fci.com

9020-0594 Rev. E page 5 of 6

Ordering Information (Continued)

Model	Description
FCI-DR-D4BR	Blank door, lock & keys, for backbox accepting 4 chassis, red
SBB-C4	Backbox, 3 chassis, black
SBB-D4	Backbox, 4 chassis, black

Optional Accessories

FCI-CHG-120	Battery charger, 25-120 A/H sealed lead-acid, mounts in FCI-LBB box
FCI-LBB	Battery box, accommodates batteries up to 55 A/H, black

GAMEWELL-FCI

12 Clintonville Road, Northford, CT 06472 - Tel: (203) 484-7161 - Fax: (203) 484-7118

www.gamewell-fci.com

9020-0594 Rev. E page 6 of 6