



by Honeywell

# SN600-PTR Printer

Printer

## Description

The SN600-PTR UL®-Listed printer is used with the Gamewell-FCI, 600 Series Fire Alarm Control Panels (FACPs) to provide a written record of system events and status changes. It features enhanced ground isolation to reduce ground faults.

### Applications

The SN600-PTR printer is used with the Gamewell-FCI, 600 Series FACPs. The printed transaction records reduce the man-hours required to install and maintain a system. A printed record of all system events (alarms, troubles, etc.) and status changes can be especially valuable in the event of a disputed incident.

### Construction and Operation

The printer is housed in a separate enclosure and is suitable for placement on a desktop, counter, or table.

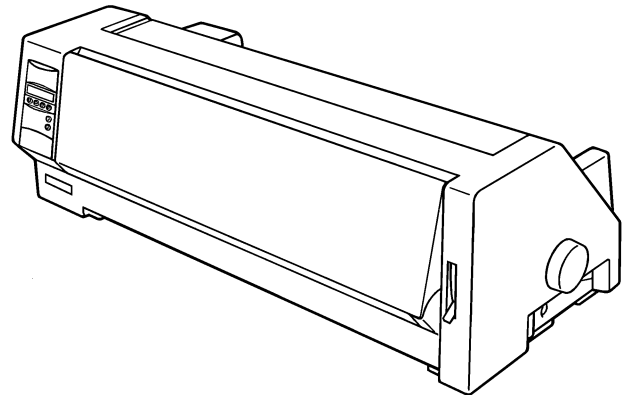
For the proper method and pin numbers used to complete the electrical connection to the control panel, refer to the Control Panel Installation Manual.

**Note:** If the printer operation is required during failure of the primary power, it is recommended to use a separate UL-Listed, Uninterruptable Power Supply (UPS) System.

## Specifications

<b>Printing Method:</b>	Serial or parallel printing with 9-pin matrix print head
<b>Printing Speed, Copy Draft:</b>	310 cps at 10 cpi
<b>Character Density:</b>	10 cpi standard (12, 15, 17.1, and 20 cpi available via front panel)
<b>Graphic Resolution (V x H):</b>	144 x 240 dpi
<b>Ribbon Life (approximate):</b>	4 million characters (DPQ)
<b>Acoustic Noise Level:</b>	53 dBA (approx.)
<b>Dimensions:</b>	19" W x 7.9" H x 9.7" Deep (48.26 W x 20.07 H x 24.64 D cm)
<b>Weight:</b>	17.6 pounds (7.9 kg)
<b>Power Supply:</b>	120/240 VAC
<b>Power Consumption:</b>	50 watts (operating)
<b>Operating Environment Temperature:</b>	50 °F to 104 °F (10 °C to 40 °C)
<b>Operating Environment Humidity:</b>	20% to 80% (non-condensing)

UL® is a registered trademark of Underwriters Laboratories, Inc.



SN600-PTR

## Features

- Provides a hard-copy printout of all system events and status changes
- Time-stamps the printed record of each event and status change with the current time-of-day and date
- Uses standard 9" x 11" tractor-feed fanfold paper
- Provides 80 columns of data at 10 characters per inch
- Provides printed record of system configuration and addressable device parameters
- Nine-pin print head
- Very quiet (approximately 53 dBA)

## Ordering Information

Part Number	Description
SN600-PTR	Network parallel printer, 120 VAC power

An ISO 9000-2000 Company



S521 7300-1703:138

### GAMEWELL-FCI

12 Clintonville Road, Northford, CT 06472-1610 USA • Tel: (203) 484-7161 • Fax: (203) 484-7118

Specifications are for information only, are not intended for installation purposes, and are subject to change without notice. No responsibility is assumed by Gamewell-FCI for their use.

©2009 by Honeywell International Inc. All rights reserved.

[www.gamewell-fci.com](http://www.gamewell-fci.com)

CS-2502 Rev. A page 1 of 1