

# Gamewell Voice

## Fire Phone Accessories

### Description

Fire phone accessories give the Gamewell Voice system two-way communication capability. Fire phone jacks are mounted on a single-gang plate. Fixed telephone and warden stations are available in surface/semi-flush-mount cabinet with a thumb-turn latch.



**MX-TC**  
(shown with 6 MX-FH)



**MX-FS / MX-WS**



**MX-FH**



**MX-FJ**

### Ordering Information

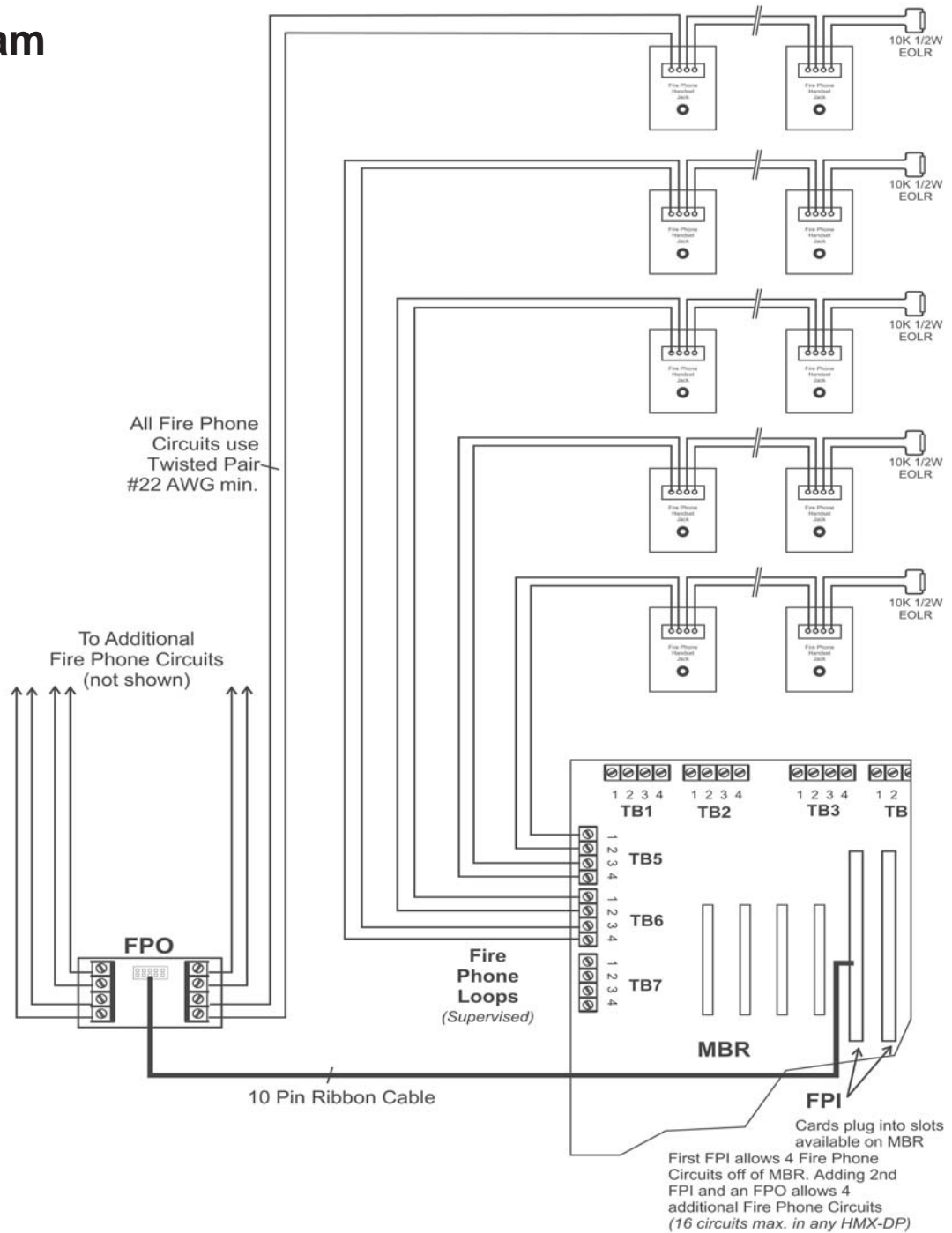
- |               |   |
|---------------|---|
| <b>MX-FJ</b>  | <b>Fire phone jack</b> , brushed stainless steel, single-gang plate.  |
| <b>MX-FH</b>  | <b>Fire phone handset</b> , portable, red (6 mount in MX-TC cabinet).   |
| <b>MX-TC</b>  | <b>Fire phone handset cabinet</b> , holds 6 MX-FH portable handsets, charcoal gray cabinet. Cabinet is surface- or semi-flush mount, with key lock, 27.0" H x 14.5" W x 4.0" D (cm: 68.58 H x 36.83 W x 10.16 D). |
| <b>MX-TCR</b> | Same as above but <b>red cabinet</b> .  |
| <b>MX-FS</b>  | <b>Fire phone station</b> , coil cord/thumb-turn latch, red cabinet (surface- or semi-flush mount, 12.75" H x 7.25" W x 3.75" D, cm: 32.385 H x 18.415 W x 9.525 D).  |
| <b>MX-WS</b>  | <b>Warden station</b> , armored cable/thumb-turn latch, red cabinet (surface- or semi-flush mount 12.75" H x 7.25" W x 3.75" D, cm: 32.385 H x 18.415 W x 9.525 D).   |

### Listings

Listings and approvals below apply to the basic Gamewell Voice fire phone accessories. In some cases, certain modules may not be listed by certain approval agencies, or listing may be in process. Consult factory for latest listing status.

- UL Listed: file S5661.
- MEA approved.
- CSFM approved.

# Wiring Diagram



g2512wir.tif

**Gamewell**<sup>™</sup>  
A 150-Year Tradition

A Honeywell Company

**Gamewell-FCI**  
12 Clintonville Road  
Northford, CT 06472-1610  
Phone: 203-484-7161  
Fax: 203-484-7118  
www.gamewell-fci.com

A Honeywell Company  
© 2006 Gamewell-FCI

Specifications and wiring information are provided for information only and are believed to be accurate. Gamewell-FCI assumes no responsibility for their use. Data and design are subject to change without notice. Installation and wiring instructions shipped with the product shall always be used for actual installation. For more information, contact Gamewell-FCI.