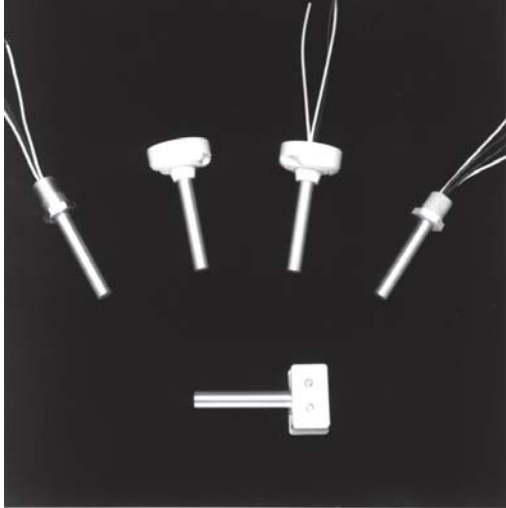


302 Series

Rate-Compensation Heat Detectors



Description

The **Thermotech 302 Series** rate-compensation heat detectors operate within a controlled range of two to three degrees of their set points, regardless of the speed or rate of temperature rise. These detectors are available in either 135° F or 194° F ratings.

The 302 Series are normally-open devices designed especially for fire detection and alarm systems.

Principles of Operation

The 302 Series rate-compensation heat detectors respond and activate the fire alarm immediately whenever the ambient temperature reaches the preset temperature setting. Under rapid heat rise conditions, the rate-compensation feature enables the detector to respond one to three degrees ahead of the setting. At the same time, however, it does not respond to momentary temperature fluctuations below the selected protection level, thus eliminating false alarms. When temperature drops back down below the protection level, the detector automatically resets itself.

Application Information

302 Series detectors have a smooth-ceiling UL rating of 50' x 50' (15.24 x 15.24 meters) and are the only type of heat detectors having such a rating on both fixed temperature and rate compensation.

Features

- Immediate response. The 302 Series activates whenever ambient air temperature reaches a detector's setting, eliminating the thermal time lag inherent in conventional heat detectors.
- Eliminates false alarms. The 302 Series do not respond to momentary temperature fluctuations below the selected temperature.
- Universal application. The 302 Series can be used in all areas for any type of occupancy.
- Self-restoring.
- Hermetically sealed, shock resistant, corrosion resistant, and tamper-proof.

Listings

Listings and approvals below apply to the 302 Series M Rate-Compensation Heat Detectors. In some cases, certain modules may not be listed by certain approval agencies, or listing may be in process. Consult factory for latest listing status.

- UL Listed: file S539 & E35018A.
- CSFM approved: file 7270-0021:001.
- FM approved: file

Product Line Information

302-135: 135°F Interior Vertical Mounting, FM and UL (See Note 1).

302-194: 194°F Interior Vertical Mounting, FM and UL (See Note 1).

302-AW-135: 135°F All-Weather Vertical Mounting, FM and UL (See Note 2).

302-AW-194: 194°F All-Weather Vertical Mounting, FM and UL (See Note 2).

302-ET-135: 135°F All-Weather Vertical Mounting, FM and UL (See Note 3).

302-ET-194: 194°F All-Weather Vertical Mounting, FM and UL (See Note 3).

302-EPM-135: 135°F Explosion-Proof Mounting, UL (See Note 4).

302-EPM-194: 194°F Explosion Proof Mounting, UL (See Note 4).

AP-P: Decorative white plastic adaptor plate for mounting 302 and 302-AM to 4" outlet box.

Note 1: For interior mounting in any atmosphere that is compatible with terminal screw type connections. UL rating 50' x 50' (15.24 x 15.24 meters).

Note 2: Humitically sealed for moisture-proof or dust-proof installations. Requires no special backbox when the all-weather leads are properly spliced to "THW" or equivalent type wire.

Note 3: Humitically sealed for moisture-proof or dust-proof installations. Requires no special backbox. Has plastic hexagonal wrench grip bushing with 1/2" (1.27 cm) conduit threads for attachment to threaded hub cover, or any special outlet box.

Note 4: Explosion-proof for installation in hazardous locations. Has hexagonal wrench grip bushing with 1/2" (1.27 cm) conduit threads for attachment to threaded hub cover of Series JL fixture fitting as manufactured by Killark Electric Co., or equal.

Specifications

Dimensions

Total overall length: 4-1/8"

Base diameter: 2"

Electrical Ratings

Voltage

6-125 VAC

6-25 VDC

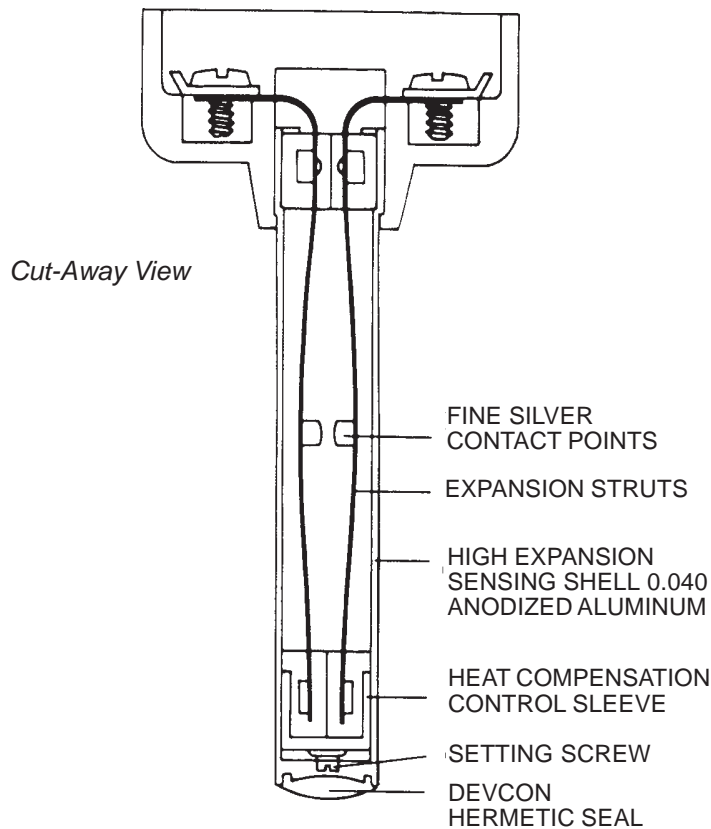
125 VDC

Current

5 amps

1 amp

0.5 amp



by Honeywell

Gamewell-FCI

12 Clintonville Road
Northford, CT 06472-1610

Phone: 203-484-7161

Fax: 203-484-7118

www.gamewell-fci.com

A Honeywell Company

© 2009 Gamewell-FCI

Specifications and wiring information are provided for information only and are believed to be accurate. Gamewell-FCI assumes no responsibility for their use. Data and design are subject to change without notice. Installation and wiring instructions shipped with the product shall always be used for actual installation. For more information, contact Gamewell-FCI.