

MDL, MDLW Sync Modules for SpectrAlert® Series



The MDL Module

Description

The Sync•Circuit™ module synchronizes SpectrAlert® strobes at 1 Hz and horns at temporal 3 over a single pair of wires. Patented module technology also allows the silencing of horns on horn/strobe models over a single pair of wires.

Application Flexibility. The Sync•Circuit™ module is designed to power and synchronize either two 3-amp circuits wired in Class B or one 3-amp circuit powered as Class A. Should more than two zones require synchronization, additional modules can be added by interconnecting the “slave” input and output terminals between modules.

Additional Capabilities. The Sync•Circuit™ module is also designed to generate temporal 3 tone for System Sensor’s Multi-Alert™ and PA400 Mini-Alert™ sounders. Existing installations can be upgraded to comply with NFPA 72.

Module Configuration

Each MDL module has the capability of connecting two Style Y (Class B) circuits or one Style Z (Class A) circuit.

The NAC output(s) from the panel are connected to the zone inputs of the MDL module and the zone output(s) from the MDL module are connected to the notification loop(s). Supervision is accomplished in the module by a direct connection between the zone input and the zone output of each of the two zone circuits connected to the normal end-of-line device. The FACP “sees” the EOL device through the MDL module. When either or both outputs (zones 1 & 2) from the module are wired to the SpectrAlert products, the horns and strobes in both zones will be synchronized.

The MDL module can be configured so that more than two zones can be synchronized by the interconnection of the slave input and output (see **Application Examples**).

Special Considerations

NOTE: The MDL Module is factory-set with the trouble contacts in the open state. These contacts may close during shipping. Approximately two seconds after power-up, these contacts will open.

Specifications

Voltage range: DC or full-wave-rectified; 11 to 30 volts. **NOTE:** Supply voltage range at 12 volts, 11 to 17 VDC; at 24 volts, 21 to 30 VDC.

Maximum load on loop: 3 amps.

Current: See table below.

Voltage	Average Current (mA)		Peak Current (mA)		In-rush Current (mA)	
	DC	FWR	DC	FWR	DC	FWR
12	10	12	30	31	87	122
24	11	15	35	37	198	262

Operating temperature: 0°C to 49°C (32°F to 120°F).

Listings

Listings and approvals below apply to the MDL(W) Sync Modules for SpectrAlert® Series. In some cases, certain modules may not be listed by certain approval agencies, or listing may be in process. Consult factory for latest listing status.

- UL Listed: files S5512, S4011.
- ULC Listed: files CS548, CS549.
- MEA approved: file 257-97-M.
- FM approved.
- CSFM approved: file 7300-1209:179.

Product Line Information

- MDL** Sync module for use with SpectrAlert Series, **red**.
- MDLA** Sync module for use with SpectrAlert Series, red, **for Canada**.
- MDLW** Same as above, **white**.
- MDLWA** Same as above, white, **for Canada**.



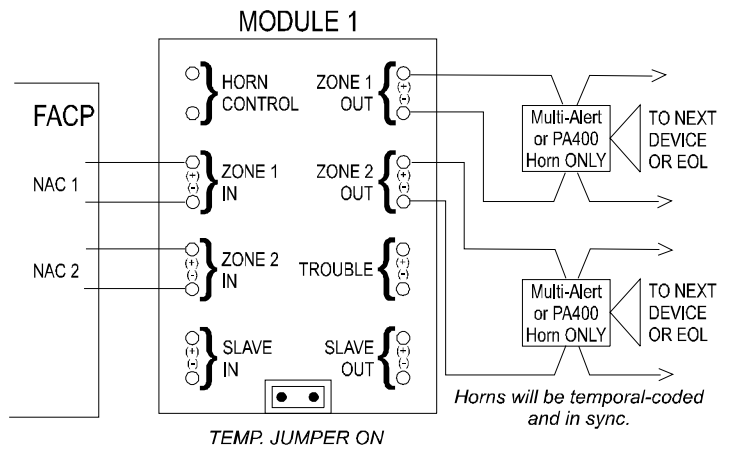
Application Examples

Temporal Coding on Multi-Alert and PA400 (Non-SpectrAlert Horns)

- Program module to provide temporal coding by inserting jumper plug per instructions.
- Connect only sounders producing a continuous tone to the module zone output(s).

CAUTION! Strobes cannot be used on a module providing temporal coding to horns! Strobes must be wired for independent operation.

NOTE: Temporal jumper should be inserted across both pins only on non-SpectrAlert products that are to be powered for temporal sound output.

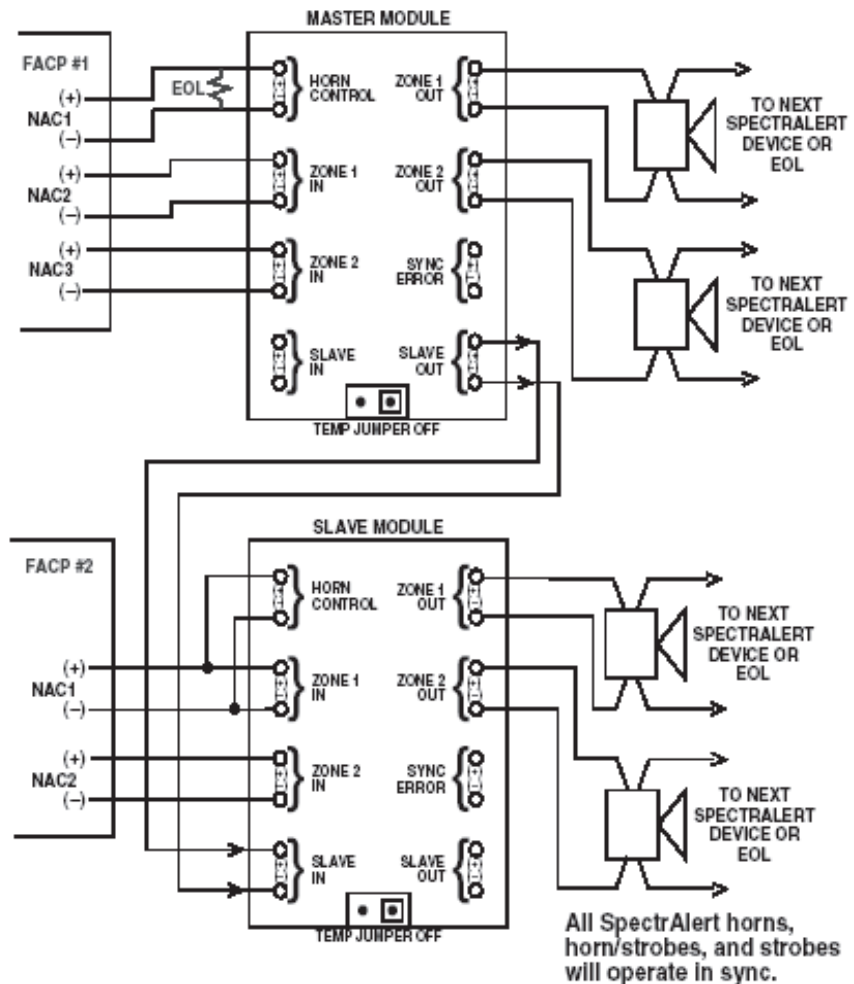


Synchronize SpectrAlert Horns and Strobes

ZONE 1 INPUT	This input powers the MDL Module. This input must have voltage present from the FACP before anything will work. This also supplies voltage to Zone 1 output.
ZONE 2 INPUT	This input only supplies voltage to Zone 2 output. NOTE: If Zone 1 input is not powered, the notification devices attached to the Zone 2 output will not be allowed.
HORN CONTROL	This input enables the horns on the SpectrAlert notification appliances. Voltage present means horns are enabled. No voltage present means horns are disabled.
SLAVE IN	Connects to Master MDL Module slave out.
SLAVE OUT	Connects to Slave MDL slave in.

Synchronize SpectrAlert Horns and Strobes

- Each module can power two three-amp circuits wired in Class B, or one three-amp circuit powered as Class A.
- Each module will synchronize two zones.
- Additional modules can be added and may be synchronized to all other modules by interconnecting the “slave” input and output terminals between modules.



⚠️ WARNING! ⚡ Limitations of Horns/Strobes

The horn and/or strobe will not work without power. The horn/strobe gets its power from the fire/security panel monitoring the alarm system. If power is cut off for any reason, the horn/strobe will not provide the desired audio or visual warning.

The horn may not be heard. The loudness of the horn meets (or exceeds) current Underwriters' Laboratories standards. However, the horn may not alert a sound sleeper or one who has recently used drugs or has been drinking alcoholic beverages. The horn may not be heard if it is placed on a different floor from the person in hazard or if placed too far away to be heard over the ambient noise such as traffic, air conditioners, machinery or music appliances that may prevent alert persons from hearing the alarm. The horn may not be heard by persons who are hearing impaired.

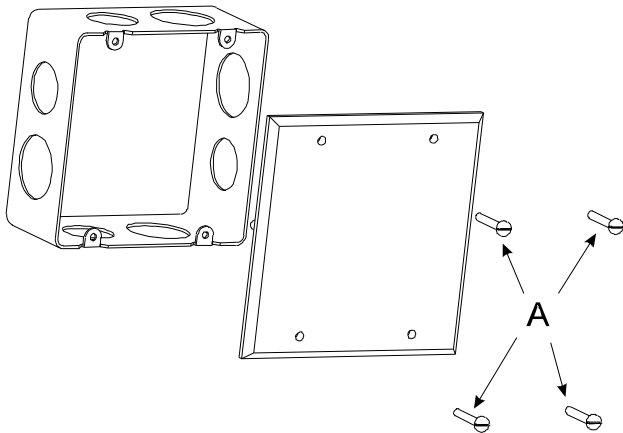
The signal strobe may not be seen. The electronic visual warning signal uses an extremely reliable xenon flash tube. It flashes at least once every three seconds and exceeds current Underwriters' Laboratories standards for private mode viewing. The visual warning signal is suitable for direct viewing and must be installed within an area where it can be seen by building occupants. The strobe must not be installed in direct sunlight or areas of high light intensity (over 60 footcandles) where the visual flash might be disregarded or not seen. The strobe may not be seen by the visually impaired and is not intended to meet American Disabilities Act (ADA) requirements.

The signal strobe may cause seizures. Individuals who have positive photic response to visual stimuli with seizures, such as persons with epilepsy, should avoid prolonged exposure to environments in which strobe signals, including this strobe, are activated.

The signal strobe cannot operate from coded power supplies. Coded power supplies produce interrupted power. The strobe must have an uninterrupted source of DC power in order to operate correctly. System Sensor recommends that the horn and signal strobe always be used in combination so that the risks from any of the above limitations are minimized.

Mounting Diagram

- 1) Complete field wiring.
- 2) Mount unit to 4-11/16" backbox with screws ("A").



Three-Year Limited Warranty

System Sensor warrants these horns/strobes to be free from defects in materials and workmanship under normal use and service for a period of three years from date of manufacture. For complete warranty information, contact System Sensor.

Gamewell[™]
A 150-Year Tradition

A Honeywell Company

Gamewell
12 Clintonville Road
Northford, CT 06472-1610
Phone: 203-484-7161
Fax: 203-484-7118
www.gamewell.com

A Honeywell Company
© 2004 Gamewell

Specifications and wiring information are provided for information only and are believed to be accurate. Gamewell assumes no responsibility for their use. Data and design are subject to change without notice. Installation and wiring instructions shipped with the product shall always be used for actual installation. For more information, contact Gamewell.